



CSE 333 Section 1

C, Pointers, and Gitlab



Logistics

Due Friday:

Exercise 1 @ 11 am

Pre-Quarter Survey @ 11:59 pm

Due Monday:

HW0 (setup Gitlab ASAP) @11:59 pm

Due Wednesday

Exercise 2 @ 11 am (release on Friday)



Icebreaker!

TODO: put something here :)

Pointer Review

Pointers


Pointers are just another primitive data type.


An integer can hold an index into an array.

If memory is a giant array of bytes, then a pointer just holds an index into that array.

```
type *name;
```

```
int32_t *ptr;
```

ptr 

ptr 

Pointer Syntax



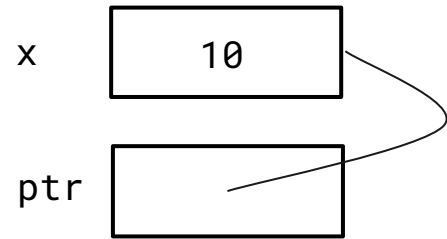
“Address of”



“Value at”

```
int32_t x;  
int32_t *ptr;
```

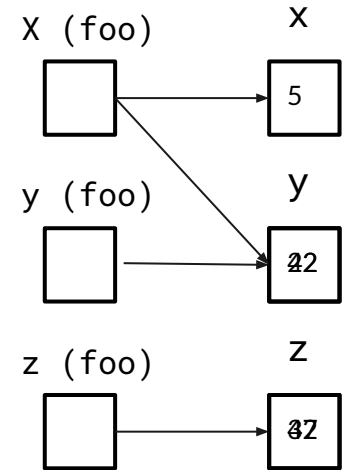
```
ptr = &x;  
x = 5;  
*ptr = 10;
```



Exercise 1

Draw a memory diagram like the one above for the following code and determine what the output will be.

```
void foo(int32_t *x, int32_t *y, int32_t *z) {  
    x = y;  
    *x = *z;  
    *z = 37;  
}  
  
int main(int argc, char *argv[]) {  
    int32_t x = 5, y = 22, z = 42;  
    foo(&x, &y, &z);  
    printf("%d, %d, %d\n", x, y, z);  
    return EXIT_SUCCESS;  
}
```



So, the code will output 5, 42, 37.

C-Strings



C-Strings

```
char str_name[size];
```

- A string in C is declared as an array of characters that is terminated by a null character '\0'.
- When allocating space for a string, remember to add an extra character for the null terminator.



Example

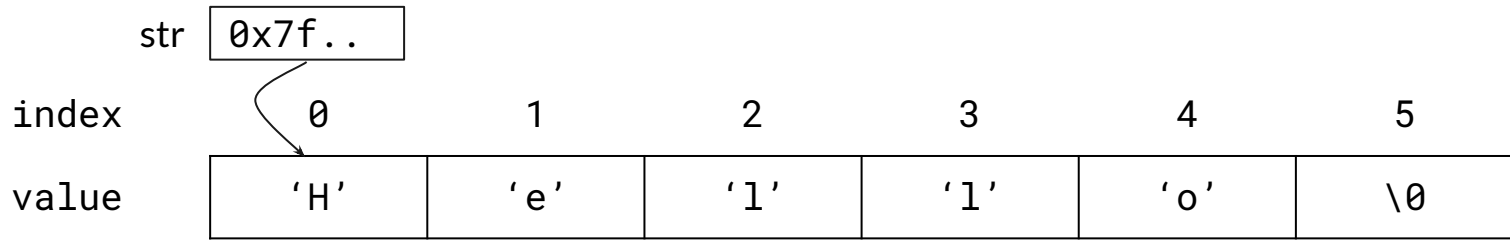
```
char str[6] = "Hello";
```

index	0	1	2	3	4	5
value	'H'	'e'	'l'	'l'	'o'	\0

- If using String literals, C will set it up for you

Example

```
char* str = "Hello";
```



- You can also use a pointer. C will allocate the characters in read only memory, and the pointer will point to the first character in the string.

Exercise 1 b

The following code has a bug. What's the problem, and how would you fix it?

```
void bar(char *str) {  
    str = "ok bye!";  
}
```

```
int main(int argc, char *argv[]) {  
    char *str = "hello world!";  
    bar(str);  
    printf("%s\n", str); // should print "ok bye!"  
    return EXIT_SUCCESS;  
}
```

Modifying the argument `str` in `bar` will not effect `str` in `main` because arguments in C are always passed by value.

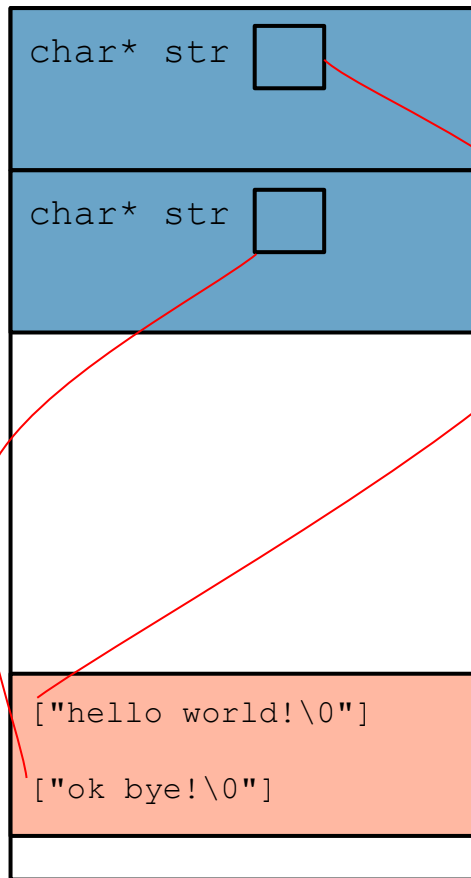
In order to modify `str` in `main`, we need to pass a pointer to a pointer (`char **`) into `bar` and then dereference it:

```
void bar_fixed(char **str_ptr) {  
    *str_ptr = "ok bye!";  
}
```

main stack frame

bar stack frame

static data



Output Parameters



Output Parameters

Definition: a pointer parameter used to store output in a location specified by the caller.

Useful for returning multiple items :)



Output Parameter example

Consider the following function:

```
void getFive(int ret){  
    ret = 5;  
}
```

Will the user get the value '5'?

No! You need to use a pointer so that the caller can see the change

```
void getFive(int* ret){  
    *ret = 5;  
}
```



Exercise 2

```
char *strcpy(char *dest, char *src) {  
    char *ret_value = dest;  
    while (*src != '\0') {  
        *dest = *src;  
        src++;  
        dest++;  
    }  
    *dest = '\0'; // don't forget the null terminator!  
    return ret_value;  
}
```

How is the caller able to see the changes in `dest` if C is pass-by-value?

The caller can see the copied over string in `dest` since we are dereferencing `dest`. Note that modifications to `dest` that do not dereference will not be seen by the caller (such as `dest++`). Also note that if you used array syntax, then `dest[i]` is equivalent to `*(dest+i)`.

Why do we need an output parameter? Why can't we just return an array we create in `strcpy`?

If we allocate an array inside `strcpy`, it will be allocated on the stack. Thus, we have no control over this memory after `strcpy` returns, which means we can't safely use the array whose address we've returned.

Gitlab Demo



Accessing Gitlab

- Sign In using your **CSE NetID** @ <https://gitlab.cs.washington.edu/>
- You should have a repo created for you titled: `cse333-20su-<netid>`

Announcements

6/22 Hello everyone! remember that this quarter is online, and so lectures are online! Please visit the canvas page and click on the calendar to get access to the lectures! Alternatively, you may use the link here to access tomorrow's lecture: [Lecture Link](#).

6/22 Welcome to CSE 333! This is where we will keep a lot of important information about the course. Please be sure to bookmark this website and check out the [Syllabus](#).

[Show all announcements](#)

Resources

Course Info

[Syllabus](#)

[Office Hours](#)

Course Tools

[Gitlab](#)



SSH Key Generation

Step 1a: Check if you have a key

- Run `cat ~/.ssh/id_rsa.pub`
- If you see a long string starting with `ssh-rsa` or `ssh-dsa` go to Step 2

Step 1b: Generate a new SSH key if necessary

- Run `ssh-keygen -t rsa -C "<netid>@cs.washington.edu"` to generate a new key
- Click enter to skip creating a password
 - git docs suggest creating a password, but it's overkill for 333 and complicates operations



SSH Key Generation

Step 2: Copy SSH key

- run `cat ~/.ssh/id_rsa.pub`
- Copy the complete key starting with ssh- and ending with your username and host

Step 3: Add SSH key to gitlab

- Navigate to your ssh-keys page (click on your avatar in the upper-right, then “Settings,” then “SSH Keys” in the left-side menu)
- Paste into the “Key” text box and give a “Title” to identify what machine the key is for
- Click the green “Add key” button below “Title”

First Commit

- 1) **git clone <repo url from project page>**
 - Clones your repo
- 2) **touch README.md**
 - Creates an empty file called README.md
- 3) **git status**
 - Prints out the status of the repo: you should see 1 new file README.md
- 4) **git add README.md**
 - Stages a new file/updated file for commit. git status: README.md staged for commit
- 5) **git commit -m "First Commit"**
 - Commits all staged files with the provided comment/message.
git status: Your branch is ahead by 1 commit.
- 6) **git push**
 - Publishes the changes to the central repo. You should now see these changes in the web interface (may need to refresh).
 - Might need **git push -u origin master** on first commit (only)



Git Repo Usage

Try to use the command line interface (not Gitlab's web interface)

Only push files used to build your code to the repo

- No executables, object files, etc.
- Don't always use `<git add .>` to add all your local files

Commit and push when an individual chunk of work is tested and done

- Don't push after every edit
- Don't only push once when everything is done



Git References

- **SSH Key generation:**

<https://gitlab.cs.washington.edu/help/ssh/README.md>

- **Basic Git Tutorial:**

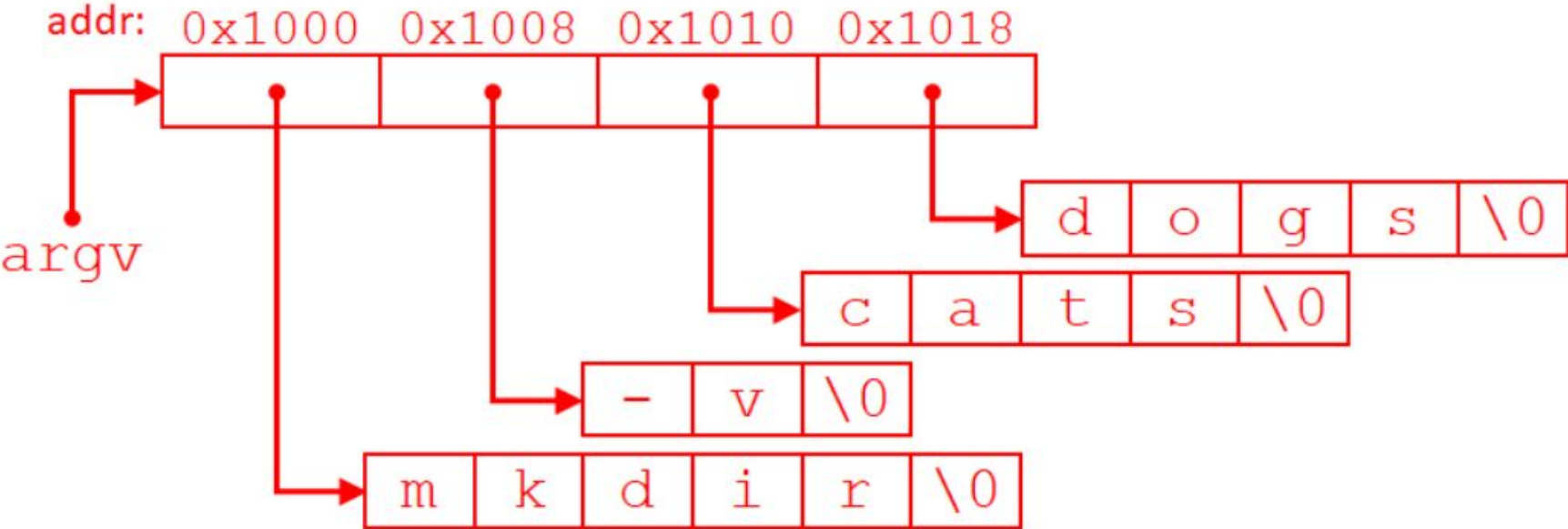
https://courses.cs.washington.edu/courses/cse333/21su/resources/git_tutorial.html

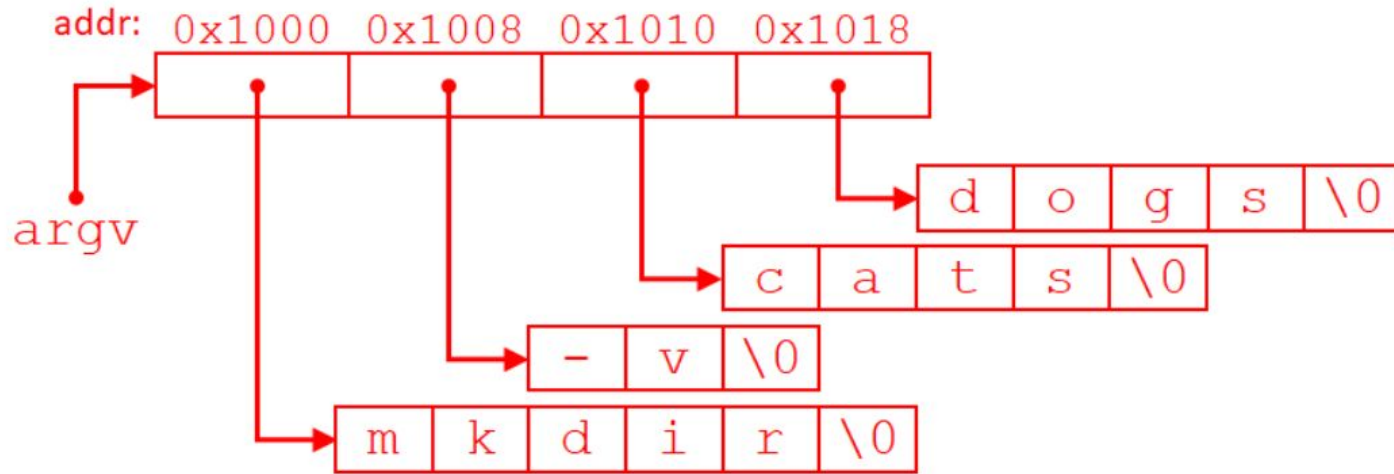
- **Steps of what we just demo'd:**

https://courses.cs.washington.edu/courses/cse333/21su/hw/git_setup.html

Exercise 3 (Bonus)

Given the following command: "mkdir -v cats dogs" and argv = 0x1000, draw a box-and-arrow memory diagram of argv and its contents for when mkdir executes.





- 1) `argv[0]`
- 2) `argv + 1`
- 3) `*(argv[1] + 1)`
- 4) `argv[0] + 1`
- 5) `argv[0][3]`

Exercise 4 (Bonus)

```
void product_and_sum(int *input, int length, int *product, int *sum) {  
    int temp_sum = 0;  
    int temp_product = 1;  
    for (int i = 0; i < length; i++) {  
        temp_sum += input[i];  
        temp_product *= input[i];  
    }  
    *sum = temp_sum;  
    *product = temp_product;  
}
```